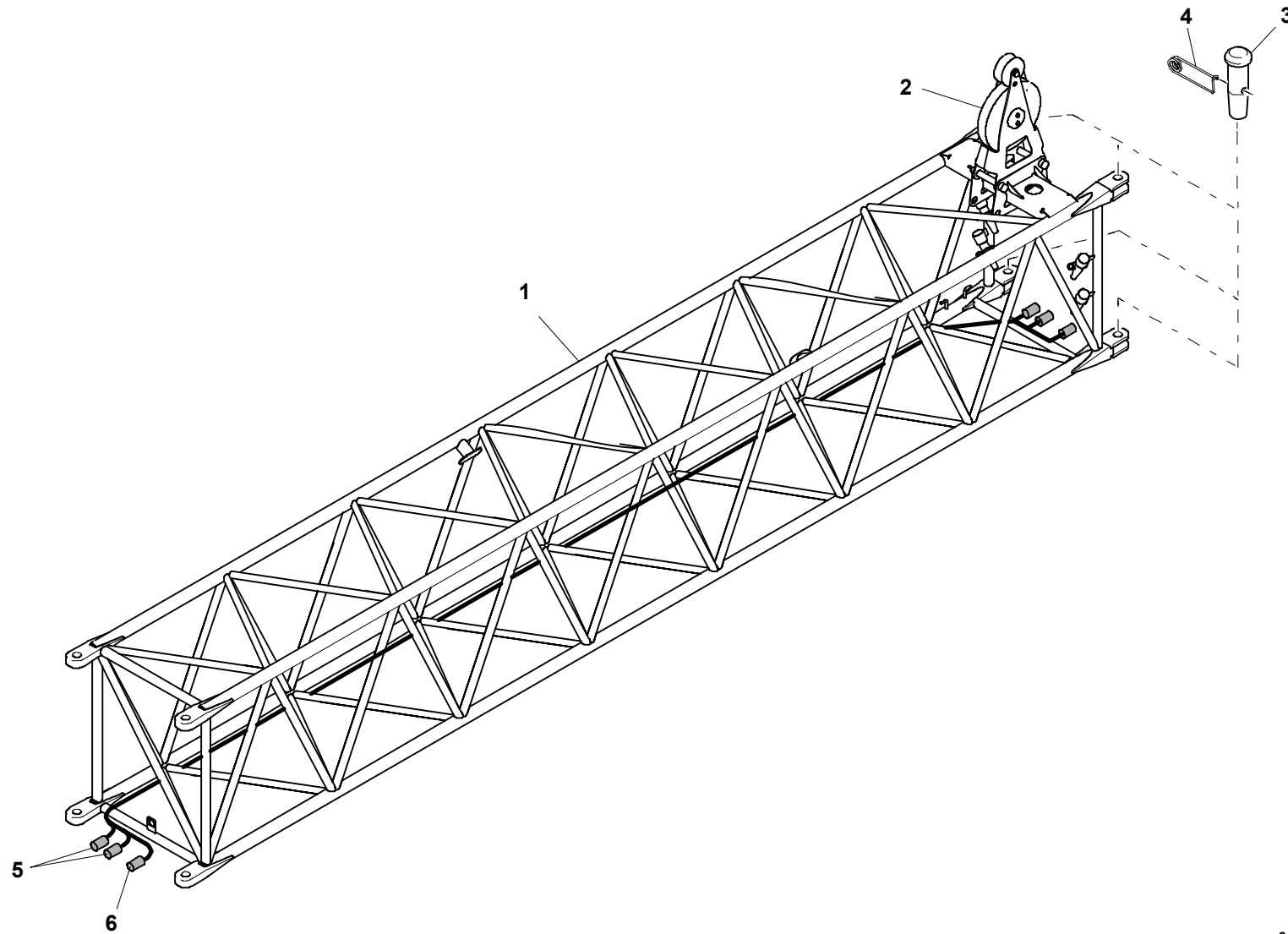


GROVEVERLAENGERUNG 6M
EXTENSION 6MBILDТАFEL
PICTORIAL DISPLAY**GMK 4080**
BE 710
G 173

04.06

3115395-ETL #

1/1



3115395-0-BL01-0406-0000